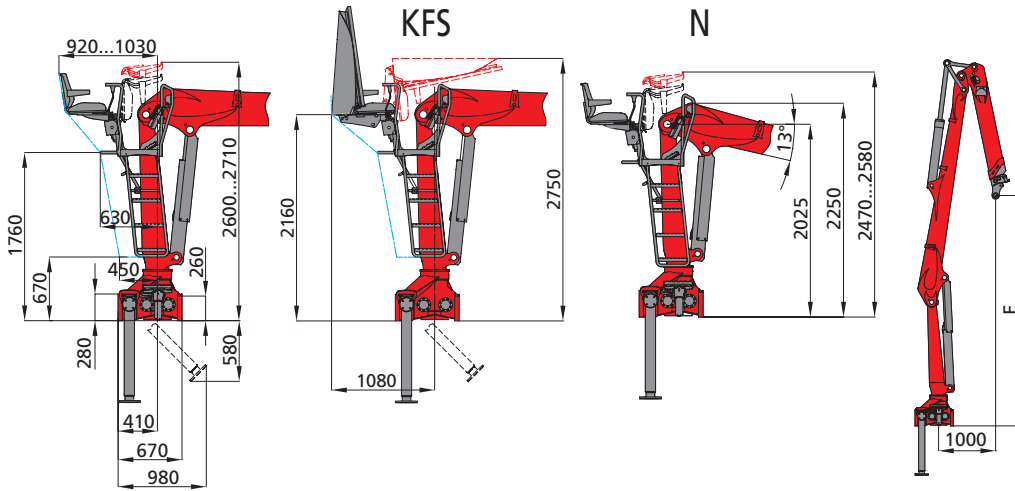
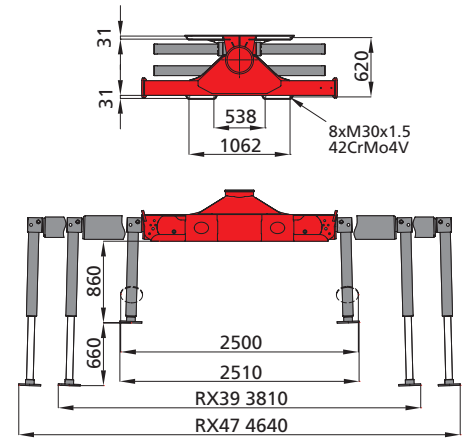
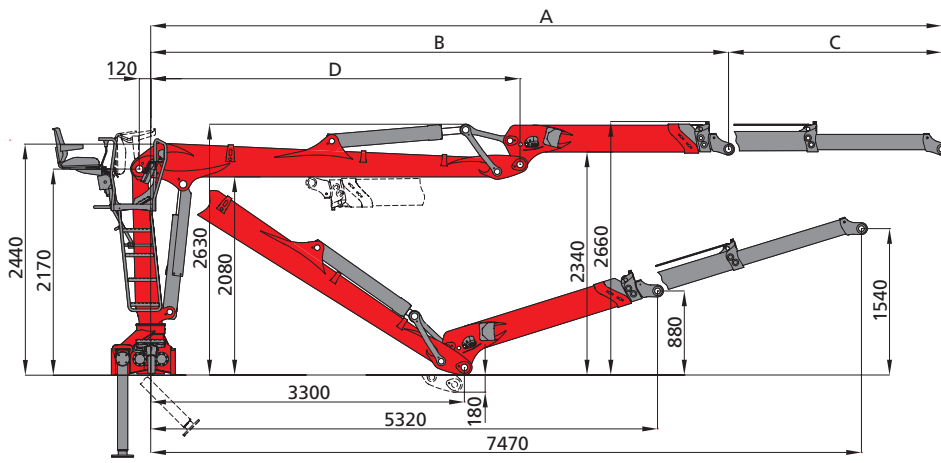


**PALFINGER**

EPSILON TIMBER & RECYCLING CRANES

**M100L**  
**M110L**  
**M120L / M130L HPLS**  
**M100LD**





|   | 83   | 80   | 97   | 80V  | 75   | 68   |
|---|------|------|------|------|------|------|
| A | 8300 | 7980 | 9680 | 7960 | 7500 | 6800 |
| B | 6060 | 6400 | 6520 | 4800 | 5260 | 4560 |
| C | 2240 | 1580 | 3160 | 3160 | 2240 | 2240 |
| D | 3880 | 3880 | 3880 | 3080 | 3080 | 2380 |
| E | 4030 | 3680 | 3560 | 3770 | 3280 | 2850 |

**83**

|    | M100L83 | M110L83 | M120L83 | M130L83 |
|----|---------|---------|---------|---------|
| 3m | 3160    | 3530    | 3800    | 4230    |
| 4m | 2370    | 2650    | 2850    | 3170    |
| 5m | 1880    | 2100    | 2270    | 2530    |
| 6m | 1560    | 1750    | 1880    | 2100    |
| 7m | 1320    | 1480    | 1600    | 1790    |
| 8m | 1150 kg | 1290 kg | 1390 kg | 1550 kg |

**97**

|    | M100L97 | M110L97 | M120L97 | M130L97 | M100LD97 |
|----|---------|---------|---------|---------|----------|
| 3m | 3070    | 3440    | 3720    | 4130    | 2830     |
| 4m | 2300    | 2580    | 2790    | 3100    | 2100     |
| 5m | 1820    | 2040    | 2210    | 2470    | 1650     |
| 6m | 1500    | 1680    | 1820    | 2050    | 1360     |
| 7m | 1270    | 1430    | 1550    | 1740    | 1150     |
| 8m | 1090    | 1230    | 1330    | 1500    | 990      |
| 9m | 960 kg  | 1080 kg | 1180 kg | 1310 kg | 870 kg   |

**75**

|    | M100L75 | M110L75 | M120L75 | M130L75 |
|----|---------|---------|---------|---------|
| 3m | 3330    | 3690    | 3960    | 4390    |
| 4m | 2490    | 2770    | 2970    | 3290    |
| 5m | 1980    | 2200    | 2370    | 2630    |
| 6m | 1630    | 1820    | 1960    | 2180    |
| 7m | 1390 kg | 1550 kg | 1670 kg | 1820 kg |

**80**

|    | M100L80 | M110L80 | M120L80 | M130L80 | M100LD80 |
|----|---------|---------|---------|---------|----------|
| 3m | 3230    | 3600    | 3970    | 4290    | 2960     |
| 4m | 2420    | 2700    | 2900    | 3220    | 2210     |
| 5m | 1930    | 2140    | 2310    | 2580    | 1750     |
| 6m | 1590    | 1780    | 1920    | 2140    | 1450     |
| 7m | 1360    | 1520    | 1640    | 1830    | 1240     |
| 8m | 1190 kg | 1300 kg | 1400 kg | 1590 kg | 1090 kg  |

**80V**

|    | M100L80V | M110L80V | M120L80V | M130L80V |
|----|----------|----------|----------|----------|
| 3m | 3240     | 3590     | 3870     | 4300     |
| 4m | 2430     | 2700     | 2910     | 3220     |
| 5m | 1950     | 2170     | 2340     | 2590     |
| 6m | 1590     | 1780     | 1920     | 2130     |
| 7m | 1350     | 1510     | 1630     | 1800     |
| 8m | 1170 kg  | 1250 kg  | 1400 kg  | 1550 kg  |

**68**

|    | M100L68 | M110L68 |
|----|---------|---------|
| 3m | 3170    | 3510    |
| 4m | 2370    | 2630    |
| 5m | 1890    | 2100    |
| 6m | 1570 kg | 1740 kg |

|  |              | M100L            |      |      |      |      |      | M110L |      |      |      |      |      | M120L |      |      |      |      | M130L HPLS     |      |      |      |      | M100LD  |      |
|--|--------------|------------------|------|------|------|------|------|-------|------|------|------|------|------|-------|------|------|------|------|----------------|------|------|------|------|---------|------|
|  |              | 83               | 80   | 97   | 80V  | 75   | 68   | 83    | 80   | 97   | 80V  | 75   | 68   | 83    | 80   | 97   | 80V  | 75   | 83             | 80   | 97   | 80V  | 75   | 80      | 97   |
|  |              | ONROAD RECYCLING |      |      |      |      |      |       |      |      |      |      |      |       |      |      |      |      |                |      |      |      |      |         |      |
|  | [kNm]        | 95               | 97   | 92   | 97   | 100  | 95   | 106   | 108  | 103  | 108  | 111  | 106  | 114   | 116  | 112  | 117  | 119  | 127            | 129  | 124  | 129  | 132  | 89      | 85   |
|  | [kNm]        | 24               |      |      |      |      |      | 27    |      |      |      |      |      | 28    |      |      |      |      | 28             |      |      |      |      | 24      |      |
|  | [°]          | 425              |      |      |      |      |      |       |      |      |      |      |      |       |      |      |      |      |                |      |      |      |      |         |      |
|  | [m]          | 8,3              | 8,0  | 9,7  | 8,0  | 7,5  | 6,8  | 8,3   | 8,0  | 9,7  | 8,0  | 7,5  | 6,8  | 8,3   | 8,0  | 9,7  | 8,0  | 7,5  | 8,3            | 8,0  | 9,7  | 8,0  | 7,5  | 8,0     | 9,7  |
|  | [bar]        | 215              |      |      |      |      |      | 235   |      |      |      |      |      | 250   |      |      |      |      | 250 (280 HPLS) |      |      |      |      | 200     |      |
|  | 1K [l/min]   | 1 x 80           |      |      |      |      |      |       |      |      |      |      |      |       |      |      |      |      |                |      |      |      |      | -       |      |
|  | 2K [l/min]   | 2 x 70           |      |      |      |      |      |       |      |      |      |      |      |       |      |      |      |      |                |      |      |      |      | 2 x 70  |      |
|  | 1KLS [l/min] | 1 x 150          |      |      |      |      |      |       |      |      |      |      |      |       |      |      |      |      |                |      |      |      |      | 1 x 150 |      |
|  | [kg]         | 2040             | 1990 | 2110 | 2080 | 1990 | 1950 | 2070  | 2020 | 2140 | 2110 | 2020 | 1980 | 2110  | 2060 | 2180 | 2150 | 2060 | 2120           | 2070 | 2190 | 2160 | 2070 | 2060    | 2180 |
|  | RX39 [kN]    | 84               |      |      |      |      |      | 92    |      |      |      |      |      | 98    |      |      |      |      | 106            |      |      |      |      | 79      |      |
|  | RX47 [kN]    | 68               |      |      |      |      |      | 75    |      |      |      |      |      | 80    |      |      |      |      | 86             |      |      |      |      | 64      |      |